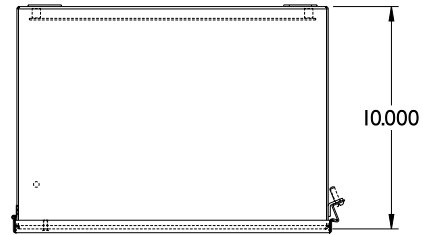
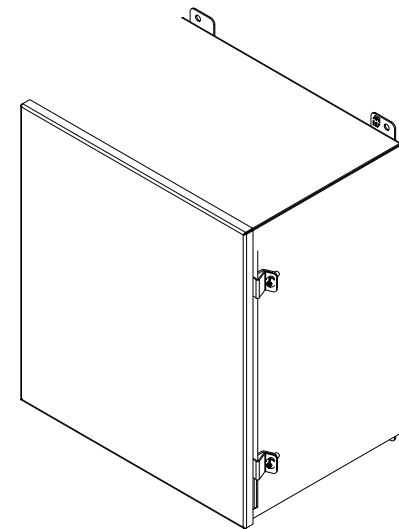


PART No. 1414N4PHSSO10

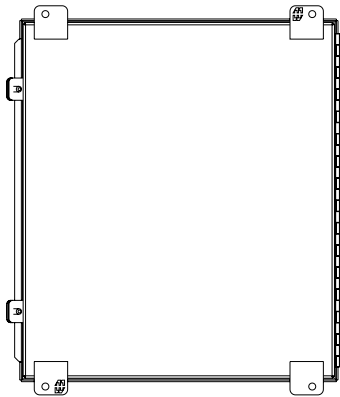
Data subject to change without notice



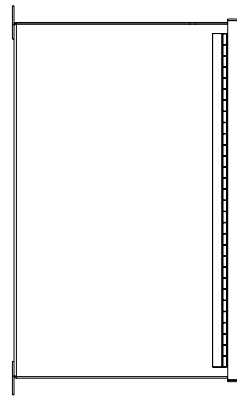
TOP VIEW



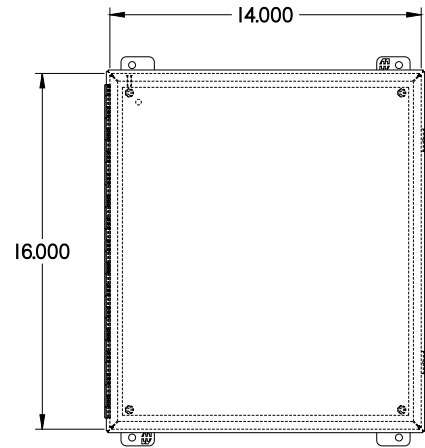
ISOMETRIC VIEW



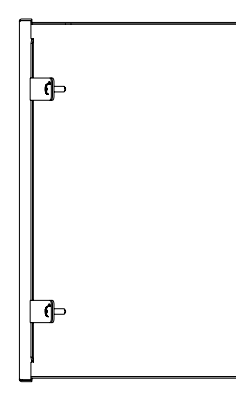
BACK VIEW



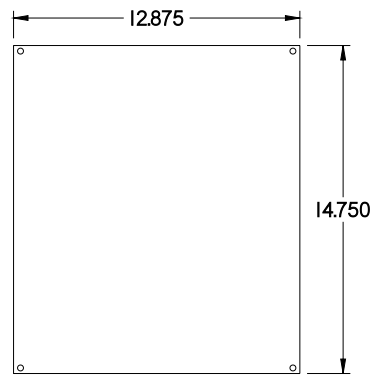
LEFT SIDE VIEW



FRONT VIEW



RIGHT SIDE VIEW



INNER PANEL



BOTTOM VIEW

