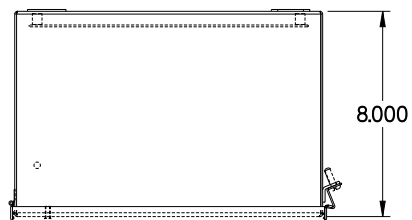
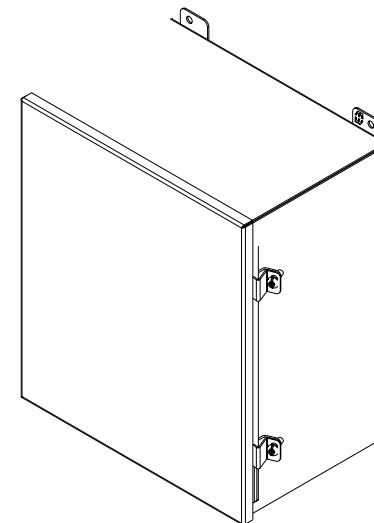


PART No. 1414N4PHSSM8LP

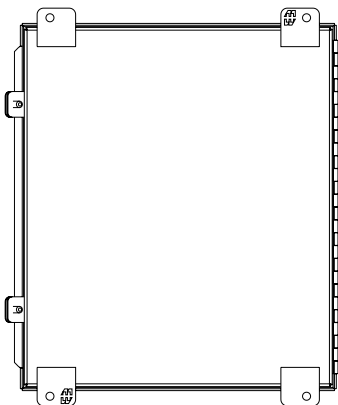
Data subject to change without notice



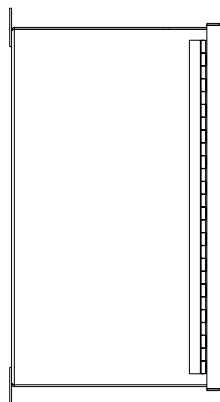
TOP VIEW



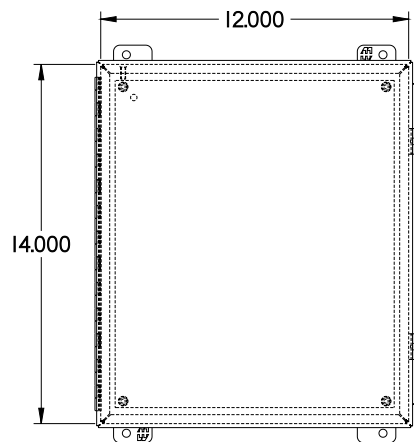
ISOMETRIC VIEW



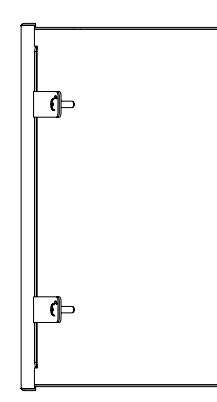
BACK VIEW



LEFT SIDE VIEW



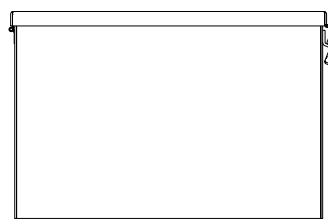
FRONT VIEW



RIGHT SIDE VIEW



205 Westwood Ave
Long Branch, NJ 07740
1-877-742-TEST (8378)
Fax: (732) 222-7088
salesteam@Tequipment.NET



BOTTOM VIEW