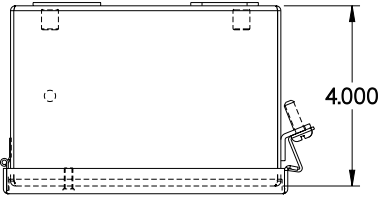
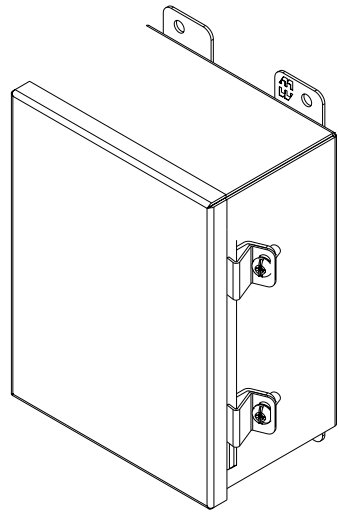


**PART No. 1414N4PHSSG4**

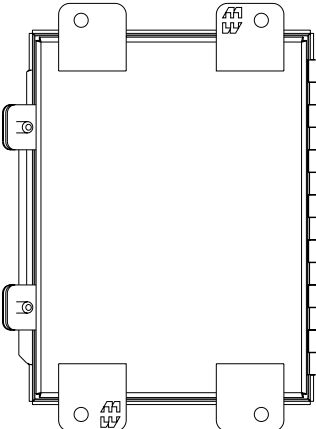
Data subject to change without notice



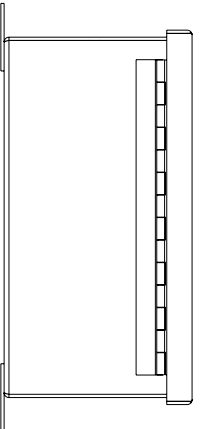
TOP VIEW



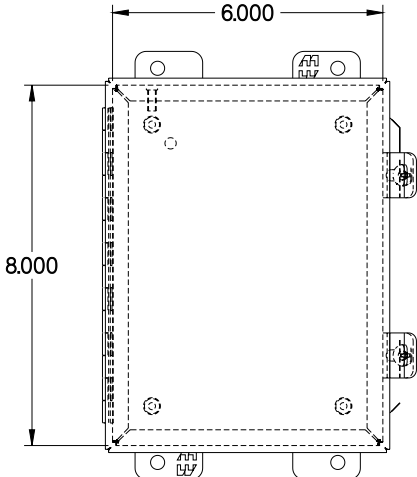
ISOMETRIC VIEW



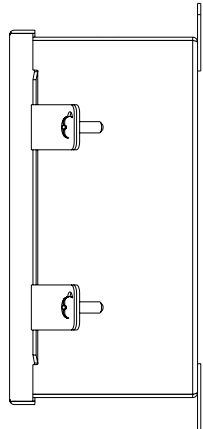
BACK VIEW



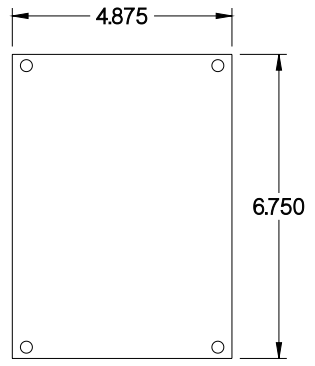
LEFT SIDE VIEW



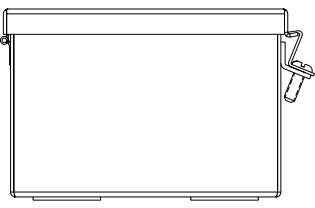
FRONT VIEW



RIGHT SIDE VIEW



INNER PANEL



BOTTOM VIEW



**USA**

**Equipment**

**.NET**

**1-877-742-TEST (8378)**